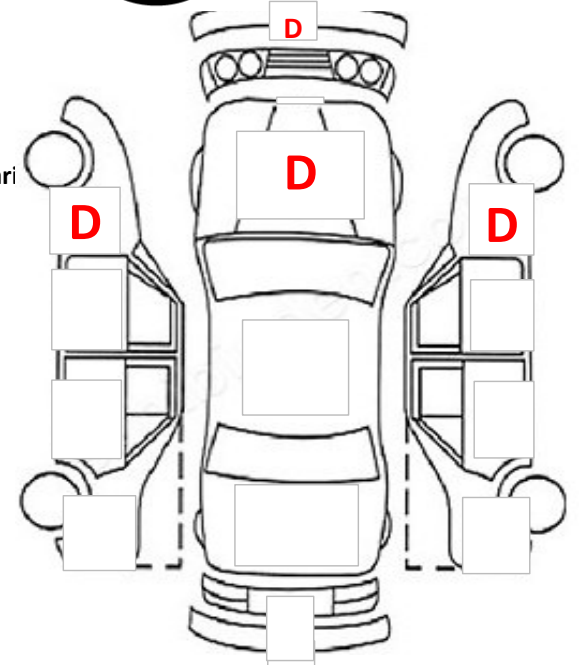


TARİH 11-AĞUSTOS-2020
 PLAKASI 06DR5811
 MARKA/MODEL CONNECT ZIRHLANDIRILMIŞ ARAÇ
 MODEL YILI 2012
 KOLTUK SAYISI 2
 MOTOR TİPİ(CC) 1800
 ŞAŞİ NUMARASI ***4497

KM
 AKÜ ARIZALI YOK VAR
 RENK OPAK METALİK
 ANAHTAR VAR YOK
 RUHSAT VAR YOK
 ARAÇ TİPİ BİNEK TİCARİ A.Ticari
 YAKIT BENZİN DİSESEL LPG



ARACIN DIŞI	
ÖN CAM	<input checked="" type="checkbox"/> ORJ <input type="checkbox"/> DĞŞ <input type="checkbox"/> HASAR
ÖN FAR VE SINYALLER	<input type="checkbox"/> HASAR
ÖN PANJUR	<input type="checkbox"/> HASAR
ÖN TAMPON	<input checked="" type="checkbox"/> ÇZİK <input type="checkbox"/> EZİK <input type="checkbox"/> HASAR
KAPUT	130 <input type="checkbox"/> ORJ <input type="checkbox"/> BOY <input checked="" type="checkbox"/> DĞŞ
SOL ÖN ÇAMURLUK	120 <input type="checkbox"/> ORJ <input type="checkbox"/> BOY <input checked="" type="checkbox"/> DĞŞ
SOL ÖN KAPI	130 <input checked="" type="checkbox"/> ORJ <input type="checkbox"/> BOY <input type="checkbox"/> DĞŞ
SOL DİKİZ AYNASI	<input type="checkbox"/> HASAR
SOL İÇ DİREK	90 <input checked="" type="checkbox"/> ORJ <input type="checkbox"/> BOY <input type="checkbox"/> DĞŞ
SOL ARKA KAPI	YOK <input type="checkbox"/> ORJ <input type="checkbox"/> BOY <input type="checkbox"/> DĞŞ
SOL MAŞBİYEL	120 <input checked="" type="checkbox"/> ORJ <input type="checkbox"/> BOY <input type="checkbox"/> DĞŞ
SOL ARKA ÇAMURLUK	130 <input checked="" type="checkbox"/> ORJ <input type="checkbox"/> BOY <input type="checkbox"/> DĞŞ
BAGAJ KAPAĞI	120 <input checked="" type="checkbox"/> ORJ <input type="checkbox"/> BOY <input type="checkbox"/> DĞŞ
ARKA PANEL	<input type="checkbox"/> BOY <input type="checkbox"/> DĞŞ <input type="checkbox"/> EZİK
ARKA STOP VE LAMBALAR	<input type="checkbox"/> DĞŞ <input type="checkbox"/> HASAR
ARKA TAMPON	<input checked="" type="checkbox"/> ÇZİK <input type="checkbox"/> EZİK <input type="checkbox"/> HASAR
BAGAJ HAVUZ SACI	<input type="checkbox"/> BOY <input type="checkbox"/> DĞŞ
SAĞ ARKA ÇAMURLUK	120 <input checked="" type="checkbox"/> ORJ <input type="checkbox"/> BOY <input type="checkbox"/> DĞŞ
BENZİN DEPO KAPAĞI	130 <input checked="" type="checkbox"/> ORJ <input type="checkbox"/> BOY <input type="checkbox"/> DĞŞ <input type="checkbox"/> HASAR
SAĞ ARKA KAPI	120 <input checked="" type="checkbox"/> ORJ <input type="checkbox"/> BOY <input type="checkbox"/> DĞŞ
SAĞ İÇ DİREK	90 <input checked="" type="checkbox"/> ORJ <input type="checkbox"/> BOY <input type="checkbox"/> DĞŞ
SAĞ ÖN KAPI	130 <input checked="" type="checkbox"/> ORJ <input type="checkbox"/> BOY <input type="checkbox"/> DĞŞ
SAĞ DİKİZ AYNASI	<input type="checkbox"/> HASAR
SAĞ MAŞBİYEL	120 <input checked="" type="checkbox"/> ORJ <input type="checkbox"/> BOY <input type="checkbox"/> DĞŞ
SAĞ ÖN ÇAMURLUK	130 <input type="checkbox"/> ORJ <input type="checkbox"/> BOY <input checked="" type="checkbox"/> DĞŞ
TAVAN	120 <input checked="" type="checkbox"/> ORJ <input type="checkbox"/> BOY <input type="checkbox"/> DĞŞ <input type="checkbox"/> EZİK

ARACIN İÇİ	
KOLTUK VE DÖŞ DURUMU	<input type="checkbox"/> NOR <input type="checkbox"/> YRT <input checked="" type="checkbox"/> LEK
TABAN HALISI	<input type="checkbox"/> NOR <input type="checkbox"/> YRT <input checked="" type="checkbox"/> LEK
TAVAN DOŞEMESİ	<input type="checkbox"/> NOR <input type="checkbox"/> YRT <input checked="" type="checkbox"/> LEK
PASPASLARIN DURUMU	<input type="checkbox"/> NOR <input type="checkbox"/> YRT <input checked="" type="checkbox"/> LEK <input type="checkbox"/> YOK

GENEL DURUM BİLGİSİ
MOTOR ARIZALIDIR ARAÇ SERVİSTEDİR
KOMPLE MOTOR MALİYETİ VARDIR
ÖN PANELDE EZİK VARDIR

PERAKENDE FİYATI

TRAMER SORGUSU
3 RAKAMSIZ KAZASI VARDIR
2.966 TL

Orjinal Boyalı Local Boyalı Değişen Hasar Kayıtlı

LASTİK ve JANTLAR	
Sağ Ön Lastik	4 DRN.mm
Sol Ön Lastik	4 DRN.mm
Sağ Arka Lastik	4 DRN.mm
Sol Arka Lastik	4 DRN.mm
Stepne, Lastik	YOK DRN.mm
Sağ Ön Jant	<input checked="" type="checkbox"/> NOR <input type="checkbox"/> HSR <input type="checkbox"/> JKY
Sol Ön Jant	<input checked="" type="checkbox"/> NOR <input type="checkbox"/> HSR <input type="checkbox"/> JKY
Sağ Arka Jant	<input checked="" type="checkbox"/> NOR <input type="checkbox"/> HSR <input type="checkbox"/> JKY
Sol Arka Jant	<input checked="" type="checkbox"/> NOR <input type="checkbox"/> HSR <input type="checkbox"/> JKY
Stepne, Jant	<input type="checkbox"/> NOR <input type="checkbox"/> HSR <input type="checkbox"/> JKY

EKSPER RAPORU

HÜSEYİN MISIROĞLU
EKSPERTİZ BÖLÜM ŞEFİ