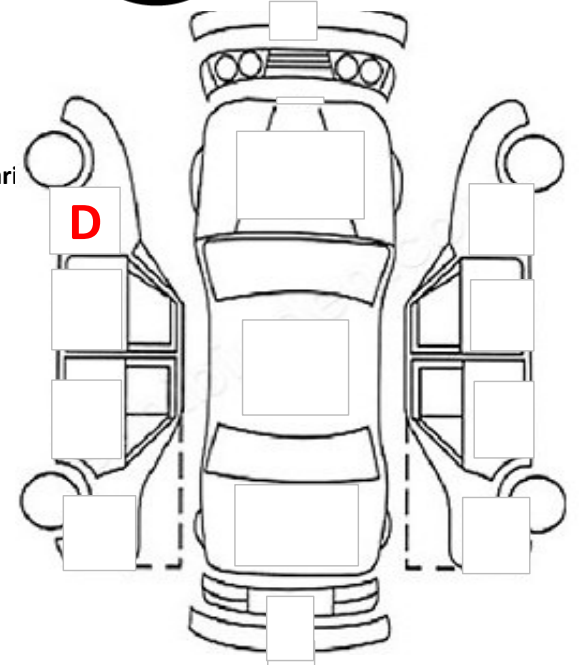


TARİH 11-AĞUSTOS-2020
 PLAKASI 06DY1453
 MARKA/MODEL CONNECT ZIRHLANDIRILMIŞ ARAÇ
 MODEL YILI 2012
 KOLTUK SAYISI 2
 MOTOR TİPİ(CC) 1800
 ŞAŞİ NUMARASI ***3305

KM
 AKÜ ARIZALI YOK VAR
 RENK OPAK METALİK
 ANAHTAR VAR YOK
 RUHSAT VAR YOK
 ARAÇ TİPİ BİNEK TİCARİ A.Ticari
 YAKIT BENZİN DİSESEL LPG



ARACIN DIŞI	
ÖN CAM	<input checked="" type="checkbox"/> ORJ <input type="checkbox"/> DĞŞ <input type="checkbox"/> HASAR
ÖN FAR VE SINYALLER	<input type="checkbox"/> HASAR
ÖN PANJUR	<input type="checkbox"/> HASAR
ÖN TAMPON	<input checked="" type="checkbox"/> ÇZİK <input type="checkbox"/> EZİK <input type="checkbox"/> HASAR
KAPUT	130 <input checked="" type="checkbox"/> ORJ <input type="checkbox"/> BOY <input type="checkbox"/> DĞŞ
SOL ÖN ÇAMURLUK	120 <input type="checkbox"/> ORJ <input type="checkbox"/> BOY <input checked="" type="checkbox"/> DĞŞ
SOL ÖN KAPI	130 <input checked="" type="checkbox"/> ORJ <input type="checkbox"/> BOY <input type="checkbox"/> DĞŞ
SOL DİKİZ AYNASI	<input type="checkbox"/> HASAR
SOL İÇ DİREK	90 <input checked="" type="checkbox"/> ORJ <input type="checkbox"/> BOY <input type="checkbox"/> DĞŞ
SOL ARKA KAPI	YOK <input type="checkbox"/> ORJ <input type="checkbox"/> BOY <input type="checkbox"/> DĞŞ
SOL MAŞBİYEL	120 <input checked="" type="checkbox"/> ORJ <input type="checkbox"/> BOY <input type="checkbox"/> DĞŞ
SOL ARKA ÇAMURLUK	130 <input checked="" type="checkbox"/> ORJ <input type="checkbox"/> BOY <input type="checkbox"/> DĞŞ
BAGAJ KAPAĞI	120 <input checked="" type="checkbox"/> ORJ <input type="checkbox"/> BOY <input type="checkbox"/> DĞŞ
ARKA PANEL	<input type="checkbox"/> BOY <input type="checkbox"/> DĞŞ <input type="checkbox"/> EZİK
ARKA STOP VE LAMBALAR	<input type="checkbox"/> DĞŞ <input type="checkbox"/> HASAR
ARKA TAMPON	<input checked="" type="checkbox"/> ÇZİK <input type="checkbox"/> EZİK <input type="checkbox"/> HASAR
BAGAJ HAVUZ SACI	<input type="checkbox"/> BOY <input type="checkbox"/> DĞŞ
SAĞ ARKA ÇAMURLUK	120 <input checked="" type="checkbox"/> ORJ <input type="checkbox"/> BOY <input type="checkbox"/> DĞŞ
BENZİN DEPO KAPAĞI	130 <input checked="" type="checkbox"/> ORJ <input type="checkbox"/> BOY <input type="checkbox"/> DĞŞ <input type="checkbox"/> HASAR
SAĞ ARKA KAPI	120 <input checked="" type="checkbox"/> ORJ <input type="checkbox"/> BOY <input type="checkbox"/> DĞŞ
SAĞ İÇ DİREK	90 <input checked="" type="checkbox"/> ORJ <input type="checkbox"/> BOY <input type="checkbox"/> DĞŞ
SAĞ ÖN KAPI	130 <input checked="" type="checkbox"/> ORJ <input type="checkbox"/> BOY <input type="checkbox"/> DĞŞ
SAĞ DİKİZ AYNASI	<input type="checkbox"/> HASAR
SAĞ MAŞBİYEL	120 <input checked="" type="checkbox"/> ORJ <input type="checkbox"/> BOY <input type="checkbox"/> DĞŞ
SAĞ ÖN ÇAMURLUK	130 <input checked="" type="checkbox"/> ORJ <input type="checkbox"/> BOY <input type="checkbox"/> DĞŞ
TAVAN	120 <input checked="" type="checkbox"/> ORJ <input type="checkbox"/> BOY <input type="checkbox"/> DĞŞ <input type="checkbox"/> EZİK

ARACIN İÇİ	
KOLTUK VE DÖŞ DURUMU	<input type="checkbox"/> NOR <input type="checkbox"/> YRT <input checked="" type="checkbox"/> LEK
TABAN HALISI	<input type="checkbox"/> NOR <input type="checkbox"/> YRT <input checked="" type="checkbox"/> LEK
TAVAN DOŞEMESİ	<input type="checkbox"/> NOR <input type="checkbox"/> YRT <input checked="" type="checkbox"/> LEK
PASPASLARIN DURUMU	<input type="checkbox"/> NOR <input type="checkbox"/> YRT <input checked="" type="checkbox"/> LEK <input type="checkbox"/> YOK

GENEL DURUM BİLGİSİ
MOTOR ARIZALIDIR ARAÇ SERVİSTEDİR
KOMPLE MOTOR MALİYETİ VARDIR
ÖN PANELDE EZİK VARDIR

PERAKENDE FİYATI

TRAMER SORGUSU
1.464 TL
663 TL
617 TL

Orjinal Boyalı Local Boyalı Değişen Hasar Kayıtlı

LASTİK ve JANTLAR	
Sağ Ön Lastik	4 DRN.mm
Sol Ön Lastik	4 DRN.mm
Sağ Arka Lastik	4 DRN.mm
Sol Arka Lastik	4 DRN.mm
Stepne, Lastik	YOK DRN.mm
Sağ Ön Jant	<input checked="" type="checkbox"/> NOR <input type="checkbox"/> HSR <input type="checkbox"/> JKY
Sol Ön Jant	<input checked="" type="checkbox"/> NOR <input type="checkbox"/> HSR <input type="checkbox"/> JKY
Sağ Arka Jant	<input checked="" type="checkbox"/> NOR <input type="checkbox"/> HSR <input type="checkbox"/> JKY
Sol Arka Jant	<input checked="" type="checkbox"/> NOR <input type="checkbox"/> HSR <input type="checkbox"/> JKY
Stepne, Jant	<input type="checkbox"/> NOR <input type="checkbox"/> HSR <input type="checkbox"/> JKY

EKSPER RAPORU

HÜSEYİN MISIROĞLU
EKSPERTİZ BÖLÜM ŞEFİ